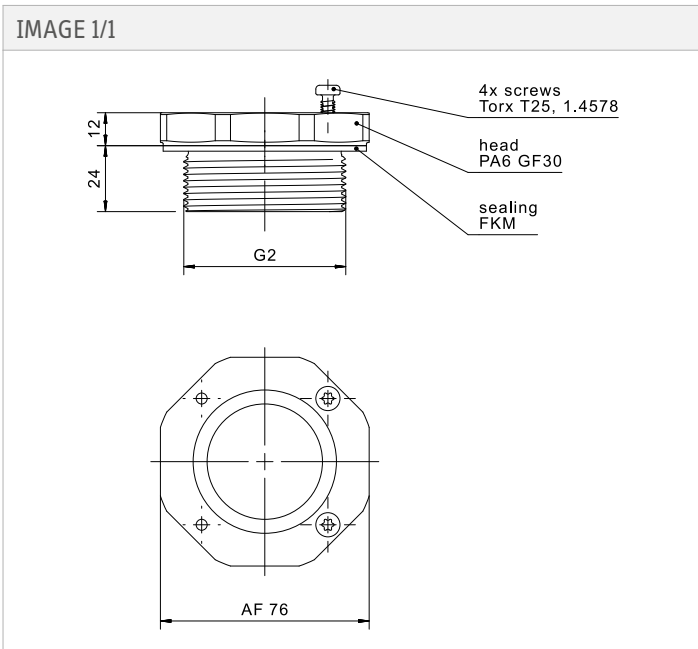




## Thread adapter

- Adapter set for 4-hole flange to 2 thread
- Increased flexibility through additional installation options
- Suitable for 2UF Off-highway ultrasonic sensor

### Technical drawing



## Properties

Attribute	350359
Included with delivery	1x threaded adapter, 1x FKM gasket, 4x screws Torx T25 1.4578
Suitable for	Ultrasonic sensor 2UF

## Material information

Attribute	350359
Sealing material	FKM
Material	PA6 GF30

## Installation

Attribute	350359
Thread	G 2
Max. torque	100 N m
Max . torque for fastening screws	1,5 N m