



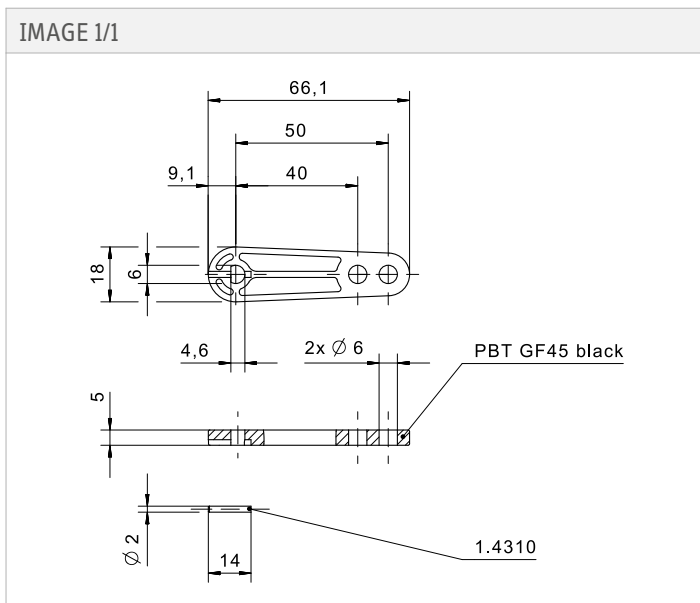
## Actuation lever

Other variants available on request

### Product characteristics

- The actuating lever ideally complements the angle sensors and increases the flexibility in connecting the angle sensor in your application
- The operating lever can be combined with almost all angle sensor variants of elobau.

### Technical drawing



## Properties

Attribute	350210
Included with delivery	1x Actuation lever + 1x Dowel pin

## Mechanical data

Attribute	350210
Dimensions	66,1x18x5mm / Ø2x7mm

## Material information

Attribute	350210
Material	PBT / 1.4310

## Installation

Attribute	350210
Mounting type	Dowel pin