



Level sensor SCR 351ADBU

The float level sensor 351ADBU was specially developed for SCR exhaust technology. As the necessary urea requires a defined temperature range for stability, the float level sensor has an additional circuit for connection with an external heating and cooling circuit. This keeps the tank content durable without any extra piping.

Product characteristics

- Level measurement on reed-contact basis
- Connection with flange
- Various connector types: inc Deutsch, AMP Superseal, or cable outlet
- Available with pipe length up to 800 mm
- Material: stainless steel, PA12
- Measurement resolution at intervals of 10-35 mm (standard 20 mm)
- Temperature range from -30 °C to +110 °C
- IP67 protection class
- With temperature contact

Technical drawing

IMAGE 1/3

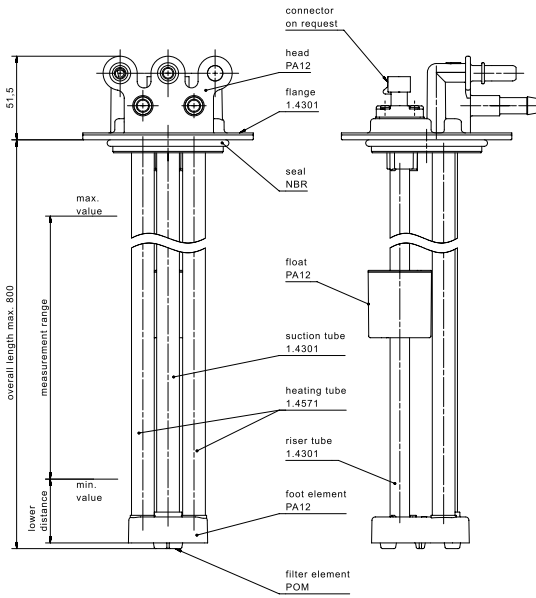


IMAGE 2/3

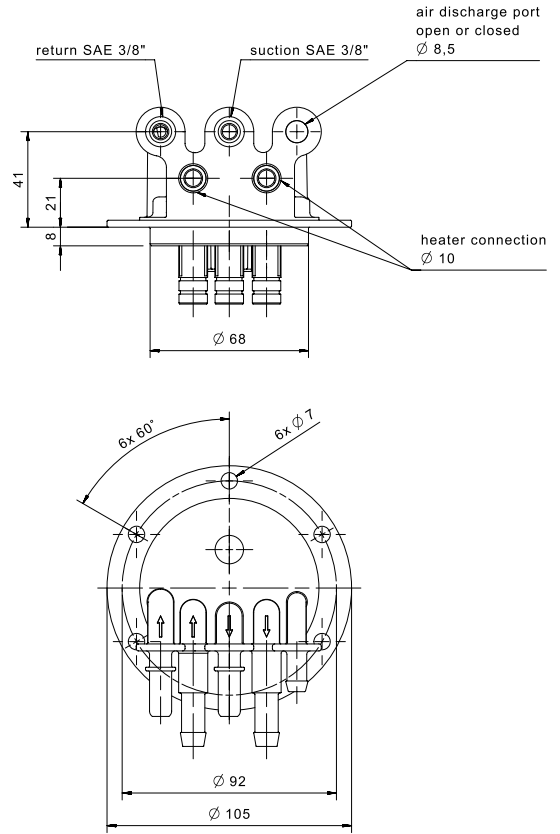
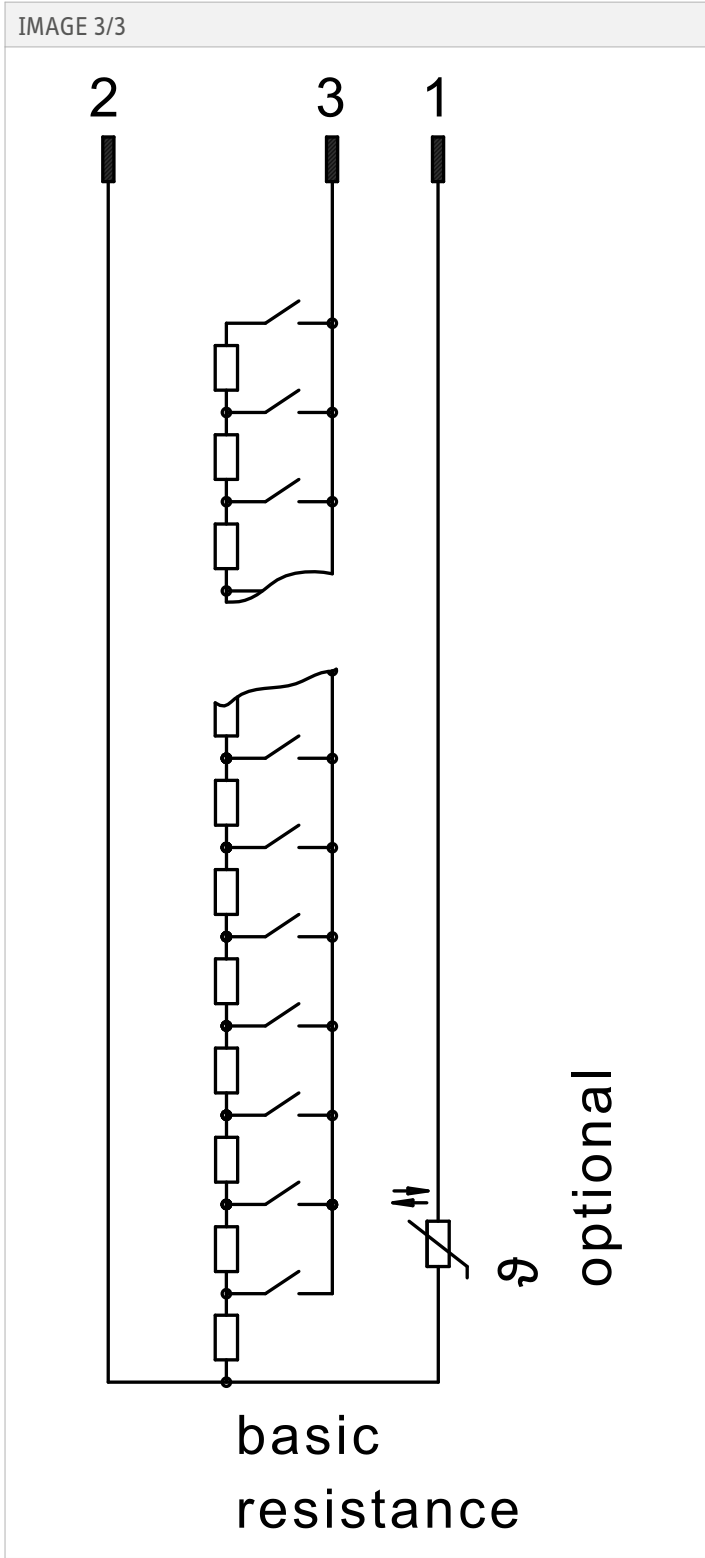


IMAGE 3/3



Product options

IMAGE 1/1

ORDERING KEY

Article number	Riser length	Measuring length
351ADBUB000	300	200
351ADBUB001	330	240
351ADBUB002	400	300
351ADBUB003	450	340
351ADBUB004	500	400
351ADBUB005	550	440
351ADBUB006	600	500
351ADBUB007	650	540
351ADBUB008	700	600
351ADBUB009	750	640
351ADBUB010	800	700

Technical properties: mounting B-hole flange, straight AMP Superseal connector, floor material stainless steel, filter 50µm, hose connection SAE 3/8" / heating connection Ø 10mm, ventilation closed, resistance signal 33...2400 (fmax top), resolution 20mm.

Electrical data

Attribute	351ADBU...
Min. resistance value	33 Ohm
Max. resistance value	240 Ohm
Operating voltage max.	48 V DC
Technology	Reed
Spacing	20 mm
R max.	above
Temperature output	yes
Basic resistance	33 Ohm
Lower blind zone	59 mm

Mechanical data

Attribute	351ADBU...
Ventilation	closed
Filter	50 µm
Riser diameter	12 mm
Float diameter	39 mm

Material information

Attribute	351ADBU...
Housing material	PA12
Float material	PA12
Riser material	Edelstahl 1.4301
Sealing material	NBR

Environmental conditions

Attribute	351ADBU...
Protection class, mechanical	IP67 DIN EN 60529
Operating temperature min.	-30 °C
Max. operating temperature	110 °C
Min. storage temperature	-30 °C
Max. storage temperature	110 °C

Installation

Attribute	351ADBU...
Mounting type	6-hole flange (M6 screws)
Bolt circle	92 mm
Riser length	wählbar

Connection

Attribute	351ADBU...
Connector type	AMP Superseal-3P
Hose connection	SAE 3/8" / Ø10mm
Connector version	Straight